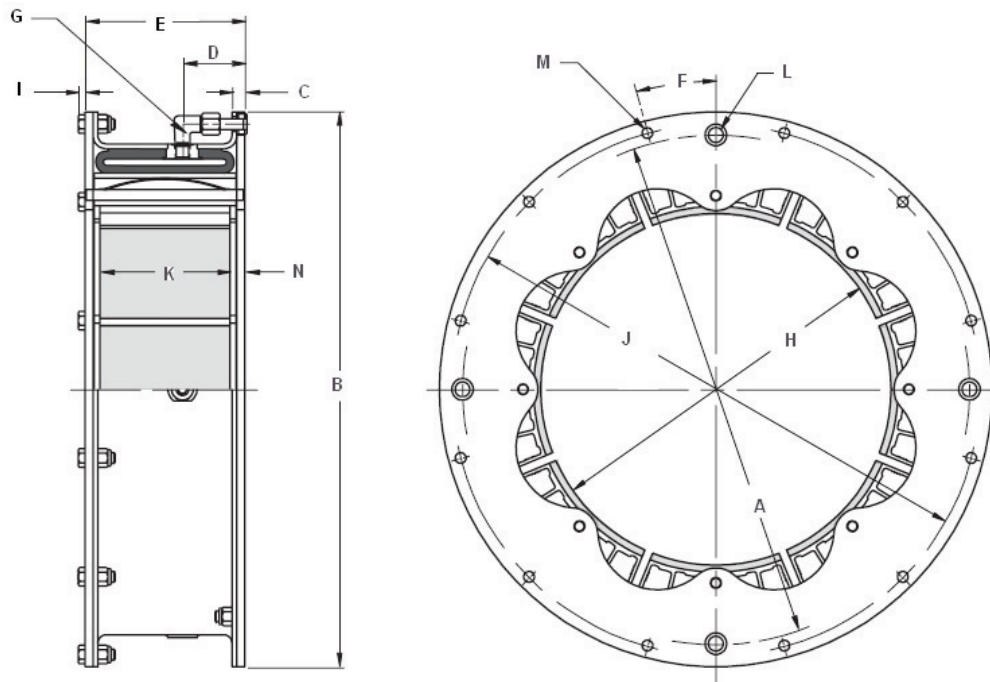


ELEMENTOS NEUMÁTICOS Serie VC Dimensiones [mm]

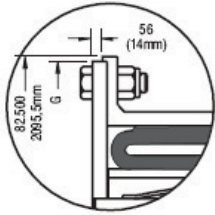


SERIE ANGOSTA

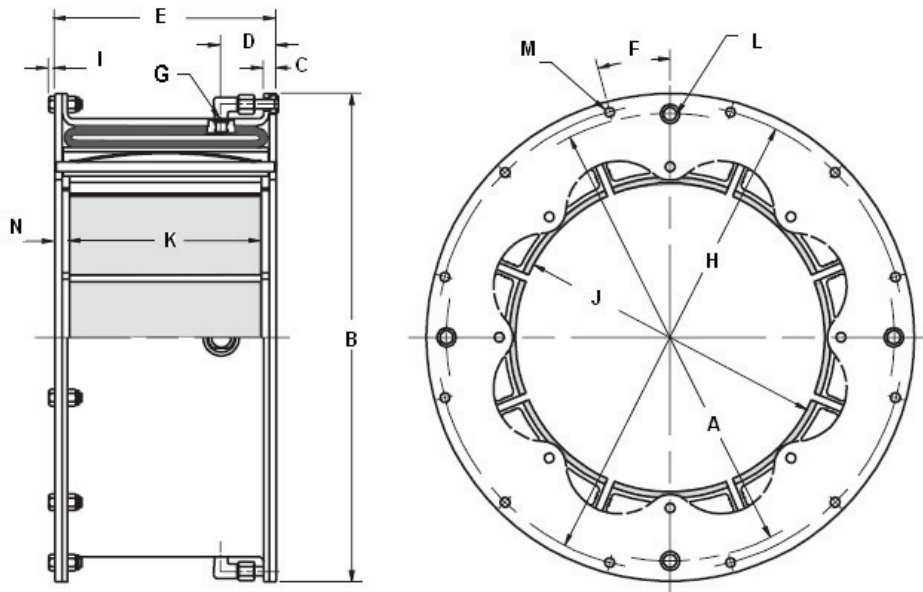
Narrow Series

Tamaño Size	Cupla Torque (Nm) @5.2 bar	A [Ø]	B [Ø]	C	D	E	F [°]	G		H [Ø]	I	J [Ø]	K		L	M		N
								Cant. Qty.	Rosca Tap				Cant. Qty.	Ancho Width		Cant. Qty.	Tamaño Size	
11.5 VC500	3050	479	498.5	10	60	156	11.25	2	3/8"-18	295	6	479.4	8	127	8	16	9.5	14
14 VC 500	4430	565	596.9	15	73	156	22.50	4	3/8"-18	361	8	571.5	8	127	10	8	12.7	14
16 VC 600	7350	619	647.7	15	73	187	15	4	3/8"-18	412	8	619.1	8	152	10	12	12.7	17
20 VC 600	10500	721	749.3	15	73	187	15	4	3/8"-18	514	8	720.7	10	152	10	12	12.7	17
24 VC 650	15300	826	863.6	16	73	195	11.25	4	1/2"-14	615	10	831.9	12	165	13	16	15.9	15
28 VC 650	20600	927	965.2	16	73	195	11.25	4	1/2"-14	717	10	933.5	14	165	13	16	15.9	15
33 VC 650	28800	1099	1133.5	16	79	195	15	4	3/4"-14	844	12	1095.4	16	165	16	18	19.1	15
37 VC 650	36200	1200	1235.1	17	79	195	9	4	3/4"-14	945	12	1197.0	18	165	16	20	19.1	15
42 VC 650	42900	1327	1362.1	17	79	195	7.50	4	3/4"-14	1072	12	1324.0	20	165	16	24	19.1	15

ELEMENTOS NEUMÁTICOS Serie VC Dimensiones [mm]



Construcción sólo para el modelo 66VC



SERIE ANCHA

Wide Series

Tamaño Size	Cupla Torque (Nm) @5.2 bar	A [Ø]	B [Ø]	C	D	E	F [°]	G		H [Ø]	I	J [Ø]	K		L	M		N
								Cant. Qty.	Rosca Tap				Cant. Qty.	Ancho Width		Cant. Qty.	Tamaño Size	
14 VC 1000	9610	565	596.9	16	73	294	22.50	4	3/8"-18	571.5	8	361	8	254	10	8	12.7	20
16 VC 1000	12900	619	647.7	16	73	294	15	4	3/8"-18	619.1	8	412	8	254	10	12	12.7	20
20 VC 1000	18200	721	749.3	16	73	294	15	4	3/8"-18	720.7	8	514	8	254	10	12	12.7	20
24 VC 1000	24700	826	863.6	16	73	294	11.25	4	1/2"-14	831.9	10	615	10	254	13	16	15.9	20
28 VC 1000	33400	927	965.2	16	73	294	11.25	4	1/2"-14	933.5	10	717	10	254	13	16	15.9	20
32 VC 1000	46900	1070	1114.4	16	73	295	7.50	4	1/2"-14	1082.7	10	818	12	254	13	24	15.9	21
38 VC 1200	76800	1219	1254.1	18	79	349	9	4	3/4"-14	1216.0	12	961	12	305	16	20	19.1	22
42 VC 1200	92500	1327	1362.1	17	79	349	7.50	4	3/4"-14	1324.0	12	1072	14	305	16	24	19.1	22
46 VC 1200	107000	1461	1530.4	20	124	349	7.50	4	3/4"-14	1485.9	14	1175	16	305	16	24	22.2	22
52 VC 1200	137000	1651	1701.8	29	181	362	5.63	4	1"-11½	1663.7	14	1327	18	305	22	32	22.2	29
51 VC 1600	182000	1651	1701.8	29	232	464	5.63	4	1"-11½	1663.7	14	1302	18	406	22	32	22.2	29
60 VC 1600	247000	1886	1955.8	35	235	470	5	4	1"-11½	1905.0	15	1535	20	406	22	36	25.4	32
66 VC 1600	316000	1991	2085.9	35	235	470	5	4	1"-11½	2022.5	20	1682	22	406	22	40	33.3	32